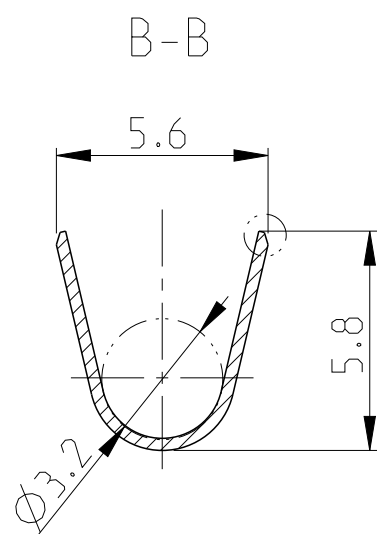
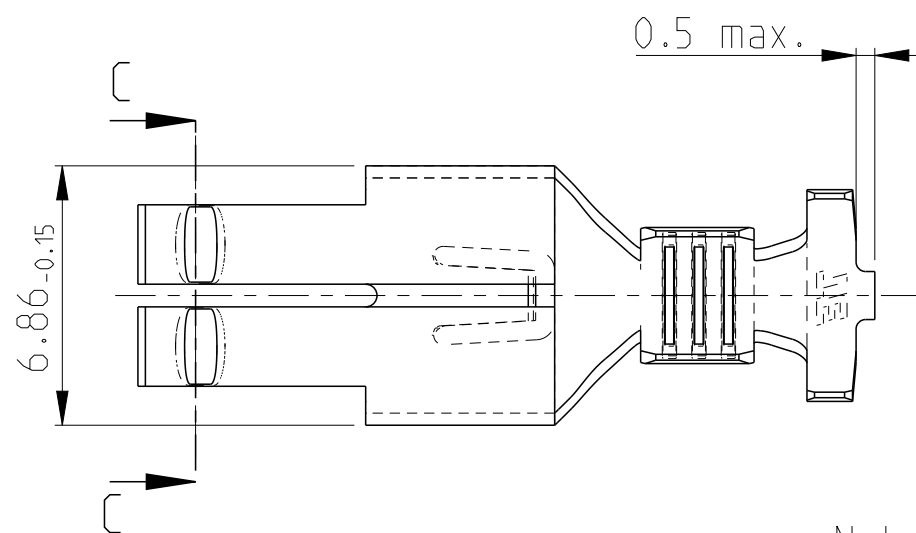
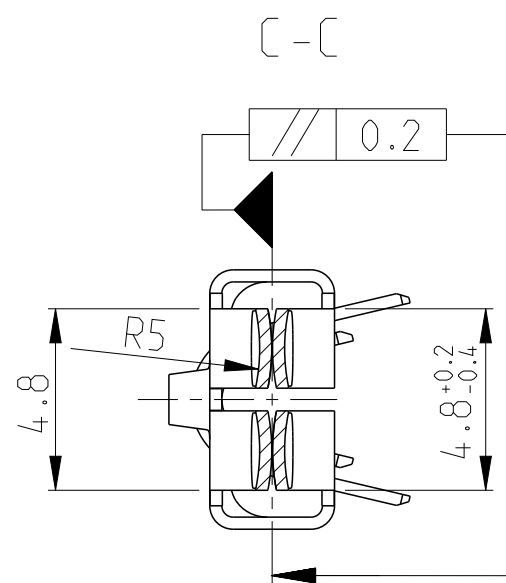
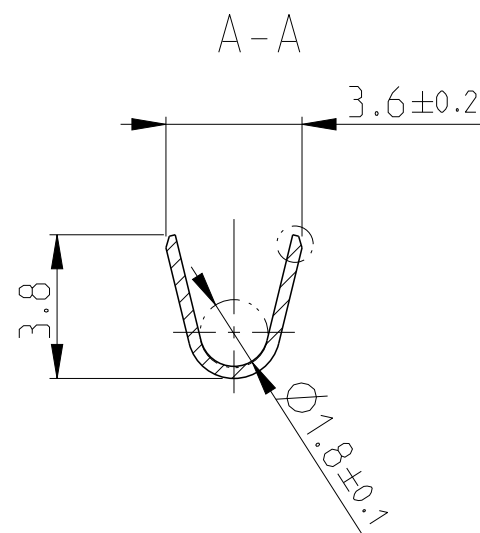
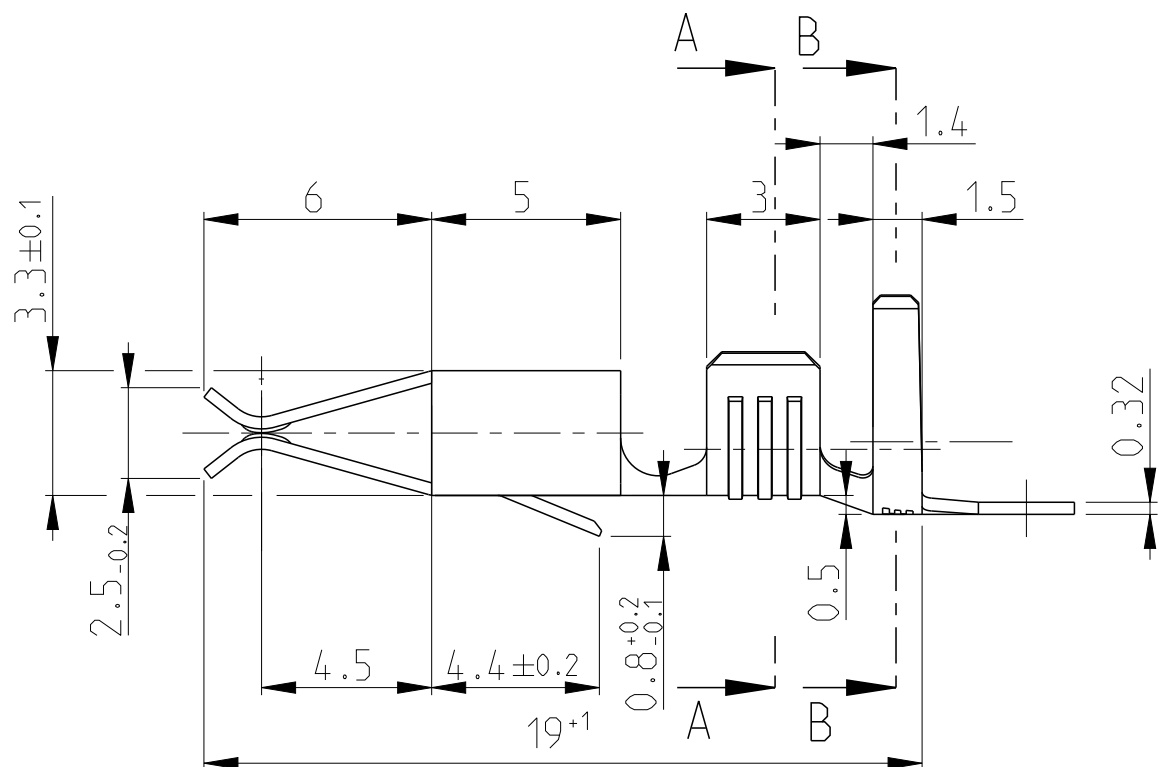


REVISIONS


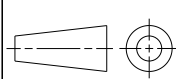
P	LTR	DESCRIPTION	DATE	DWN	APVD
	C1	ECR-14-007191	09JUL2014	SK	JS



Note
△ OBSOLETE

Leitungsgerschnitt in mm ²		Cross-section in mm ²									
Single connection	Einzelanschl.	0.5	0.75	1.0	1.5	2.0	2.5	3.0	4.0	6.0	
0.5	-	-	X	X	X	-	-	-	-	-	
0.75	-	-	X	X	X	-	-	-	-	-	
1.0	-	-	X	X	X	-	-	-	-	-	
1.5	X	-	X	X	-	-	-	-	-	-	
2	-	-	-	-	-	-	-	-	-	-	
2.5	X	-	-	-	-	-	-	-	-	-	
3.0	-	-	-	-	-	-	-	-	-	-	
4.0	-	-	-	-	-	-	-	-	-	-	
6.0	-	-	-	-	-	-	-	-	-	-	

	PLAIN / blank	Brass	927879-4	A	
△ 1	927880-3	vorverzinnt	CuFe2	927879-3	C
△ 1	927880-2	vorverzinnt	CuSn4	927879-2	C
	927880-1	vorverzinnt	CuZn30	927879-1	C
LOOSE PIECE	FINISH	MATERIAL	PART NO.	REV.	

THIS DRAWING IS A CONTROLLED DOCUMENT.		DWN Hassel,S. 07AUG2003	 TE Connectivity		
DIMENSIONS: mm		CHK Brunner,M. 07AUG2003			
TOLERANCES UNLESS OTHERWISE SPECIFIED:		APVD Bleicher,M. 15AUG2003			
		PRODUCT SPEC 108-18054	NAME STANDARD TIMER CONTACT Standard-Timer Kontakt		
MATERIAL TBD		APPLICATION SPEC 114-18080	SIZE A3	CAGE CODE -	DRAWING NO. C-927879
FINISH -		WEIGHT -	RESTRICTED TO -		
		Customer Drawing	SCALE 5:1	SHEET 1 OF 1	REV C1